

4

3

2

1

REVISIONS					
DCN	ZONE	LTR	DESCRIPTION	DATE	NAME
		A	Initial release	7-21-08	Don Christie

D

D

C

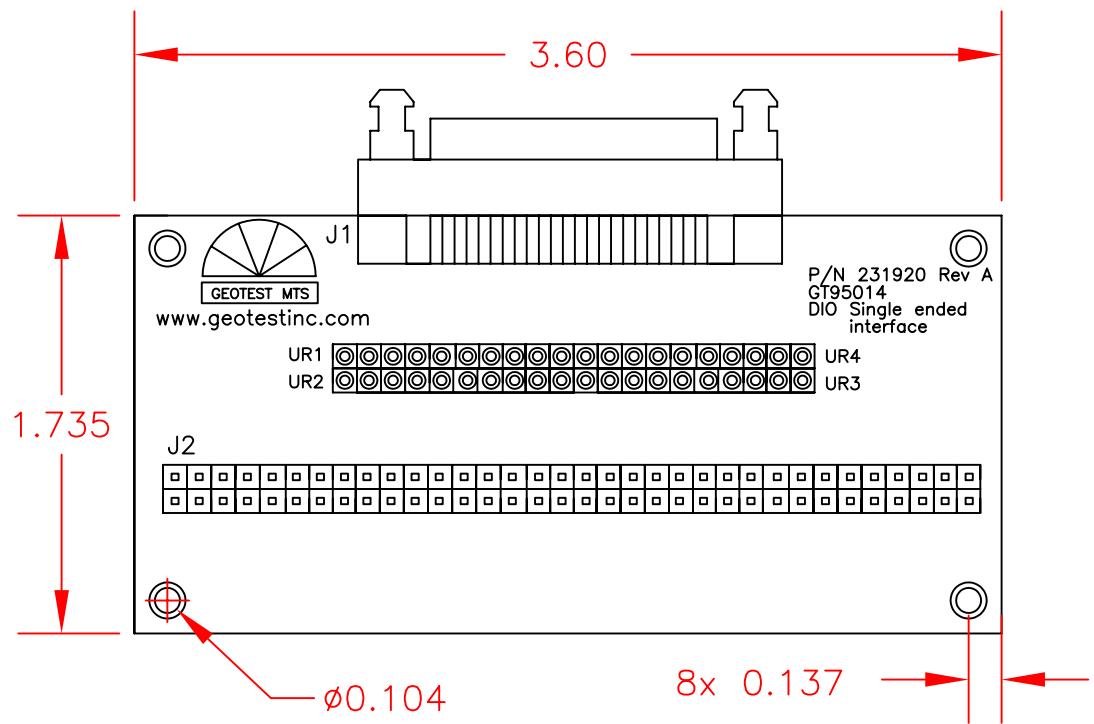
C

B

B

A

A



DWG. NO.
SH
REV.

Geotest
Marvin Test Systems, Inc.
1770 Kettering
Irvine, Ca. 92614-5616
www.geotestinc.com

UNLESS OTHERWISE SPECIFIED DIMENSIONS ARE IN INCHES	
TOLERANCES: DECIMALS .XX ± 0.03 .XXX ± 0.010	
ANGLES ± 0.30°	
NEXT ASSY	USED ON
APPLICATION	
DO NOT SCALE DRAWING	

DRAWN	D.Christie
CHECK	David Manor
ENGR	
PROD	
QA	
MATERIAL	

GEOTEST / MTS		
GT95014 customer drawing		
SIZE	CAGE NO.	DWG. NO.
C		231933
SCALE	REV.	SHEET
1:1	A	1 of 1

4

3

2

1